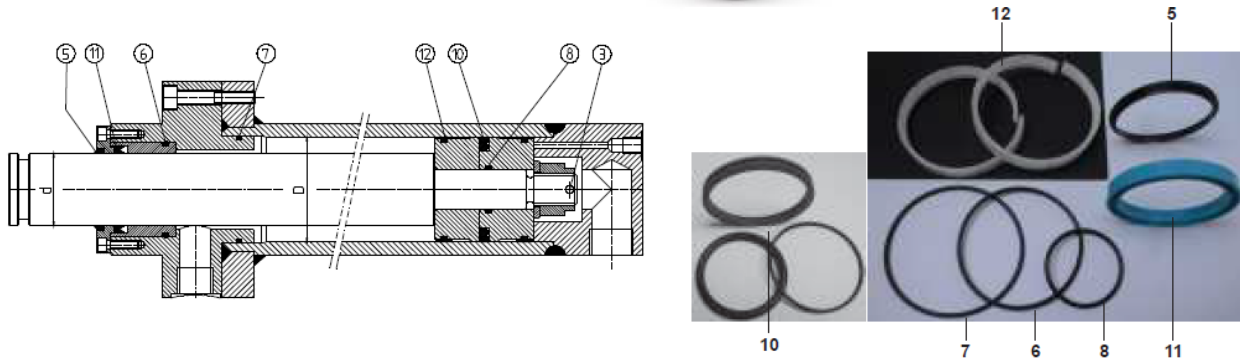
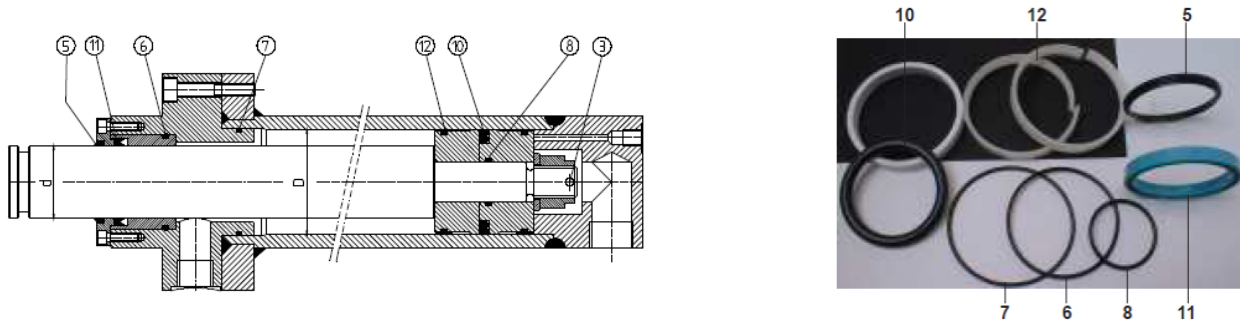


Boris Hillenbrand / Obertalstrasse 17  
 56379 Winden / Germany  
[info@particlefoamservice.com](mailto:info@particlefoamservice.com)



#	Pos.	D	D	Type	description	PU	€ per pcs.
320101010	xx	100	70	<b>B + S / Parker</b>	B+S / ParkerSeal set 100 x 70 compl.	1	
160001009	5				Wiper ring	1	
160003619	6				O-Ring	1	
160003621	7				O-Ring	1	
160003610	8				O-Ring	1	
160002705	10				Turcon AQ Seal	1	
160001808	11				Lip Ring	1	
160002123	12				Piston Guide Ring	2	



#	Pos.	D	D	Type	description	PU	€ per pcs.
320101011	xx	100	70	<b>Parker</b>	Parker Seal set 100 x 70 compl.	1	
160001009	5				Wiper Ring	1	
160003619	6				O-Ring	1	
160003621	7				O-Ring	1	
160003610	8				O-Ring	1	
160002723	10				Cyl. Seal Set Profile	1	
160001807	11				Lip Ring	1	
160002123	12				Piston Guide Ring	1	