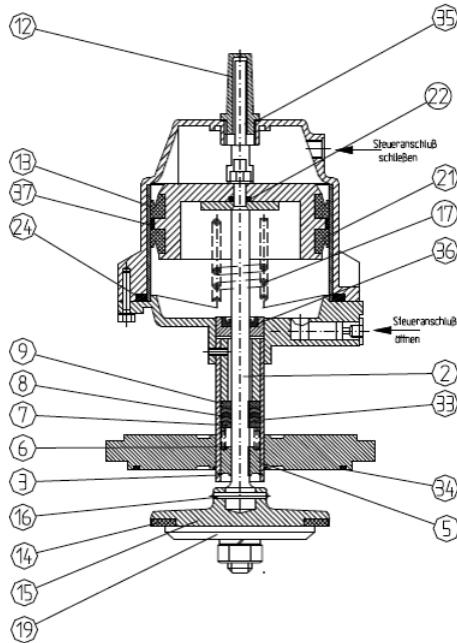


Boris Hillenbrand / Obertalstrasse 17  
56379 Winden / Germany  
Tel. 004915116743536



equipment filler accessories solutions  
**PARTICLEFOAMSERVICE**



**Type A**



**Type B**

#	Pos.	Type	description	PU	Euro per pcs.
249005145		A	NW90 Valve Seat	1	
130106513		B	NW90-120 G0 seat valve complete	1	
330101010			NW90-120 G0 seal set complete	1	
160013852	3		Circlip	1	
249005121	5		Bushing	1	
160015411	6		Spring	1	
160001553	8		Chevron	2	
249005129	13		Bushing	1	
160004783	14		Seal ring	1	
160015414	17		Spring	1	
160002306	21		Lip ring	2	
160004282	22		O-Ring	1	
160004291	24		O-Ring	1	
160001554	33		Chevron	3	
160004283	34		O-Ring	1	
160003407	35		O-Ring	1	
160001510	36		Lip ring	1	
160002052	37		Piston Guide Material	365 mm	