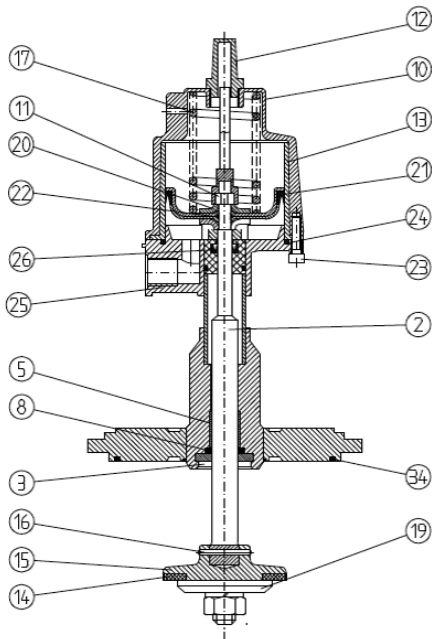


Boris Hillenbrand / Obertalstrasse 17  
56379 Winden / Germany  
Tel. 004915116743536



equipment filler accessories solutions  
**PARTICLEFOAMSERVICE**



**Type A**



**Type B**

| #         | Pos.      | Type     | description                   | PU       | Euro per pcs. |
|-----------|-----------|----------|-------------------------------|----------|---------------|
| 249005144 |           | <b>A</b> | NW70 Valve Seat               | <b>1</b> |               |
| 130106577 |           | <b>B</b> | NW70-70G2 seat valve complete | <b>1</b> |               |
| 330101022 |           |          | NW70-70 G2 seal set complete  |          |               |
| 160013852 | <b>3</b>  |          | Circlip                       | <b>1</b> |               |
| 160050103 | <b>5</b>  |          | Guide bush                    | <b>1</b> |               |
| 249005116 | <b>8</b>  |          | Seal ring spring balanced     | <b>1</b> |               |
| 249005127 | <b>13</b> |          | Bushing                       | <b>1</b> |               |
| 160004782 | <b>14</b> |          | Seat seal                     | <b>1</b> |               |
| 160015420 | <b>17</b> |          | Spring                        | <b>1</b> |               |
| 160002304 | <b>21</b> |          | Lip ring                      | <b>1</b> |               |
| 160004275 | <b>22</b> |          | O-Ring                        | <b>1</b> |               |
| 160004284 | <b>24</b> |          | O-Ring                        | <b>1</b> |               |
| 160004274 | <b>34</b> |          | O-Ring                        | <b>1</b> |               |