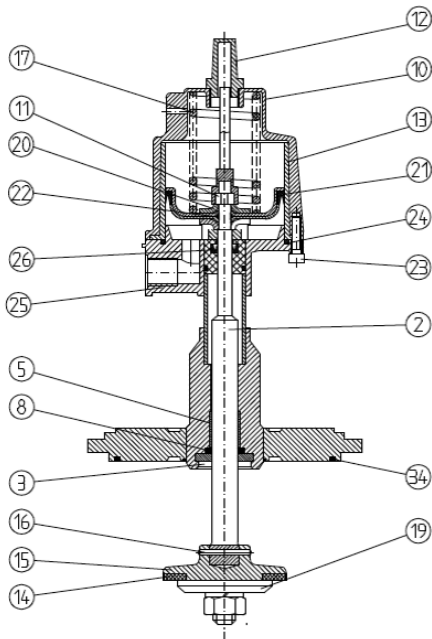


Boris Hillenbrand / Obertalstrasse 17
56379 Winden / Germany
Tel. 004915116743536



equipment filler accessories solutions
PARTICLEFOAMSERVICE



Type A



Type B

| # | Pos. | Type | description | PU | Euro per pcs. |
|-----------|------|------|-------------------------------|----|---------------|
| 249005143 | | A | NW50 Valve Seat | 1 | |
| 130106575 | | B | NW50-50G1 seat valve complete | 1 | |
| 330101019 | | | NW50-50G1 seal set complete | 1 | |
| 160013851 | 3 | | Circlip | 1 | |
| 249005122 | 5 | | Guide bush | 1 | |
| 160015410 | 6 | | Spring | 1 | |
| 160001551 | 8 | | Chevron | 2 | |
| 330101141 | 13 | | Bushing | 1 | |
| 160004781 | 14 | | Seat seal | 1 | |
| 160015413 | 17 | | Spring | 1 | |
| 160002303 | 21 | | Lip ring | 1 | |
| 160007201 | 22 | | O-Ring | 1 | |
| 160007251 | 24 | | O-Ring | 1 | |
| 160001509 | 26 | | Lip ring | 1 | |
| 160001552 | 33 | | Chevron | 3 | |
| 160004281 | 34 | | O-Ring | 1 | |